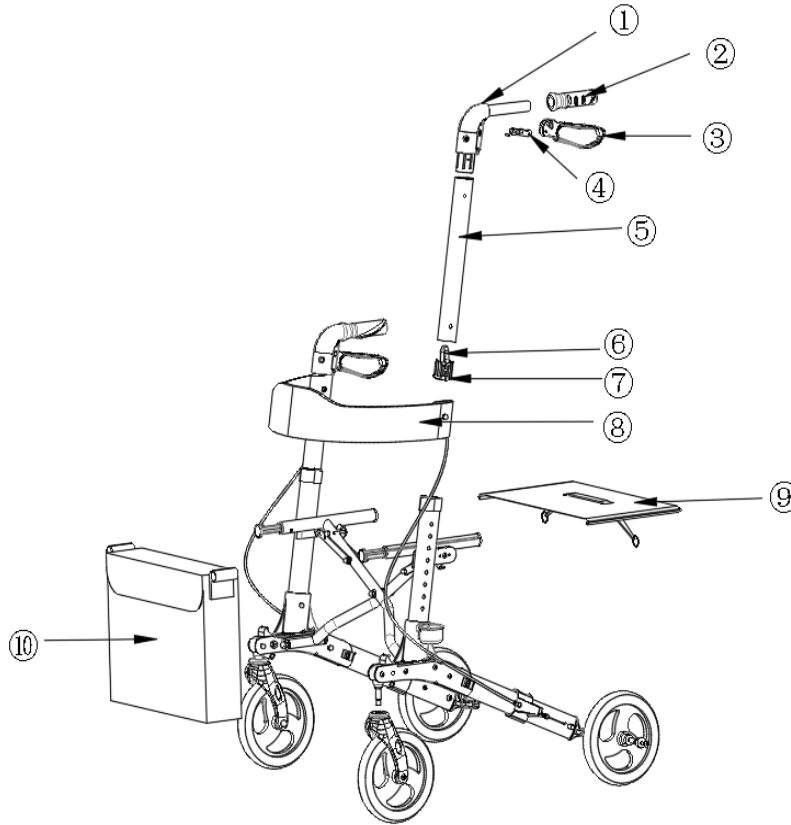


CE-D09 Spare parts list



Identification number: TCF-VOMNL-4000-22
 Product group: Walking Aid
 Productname: Excel Triple-Motion
 Batchnumber: 6189

Complete



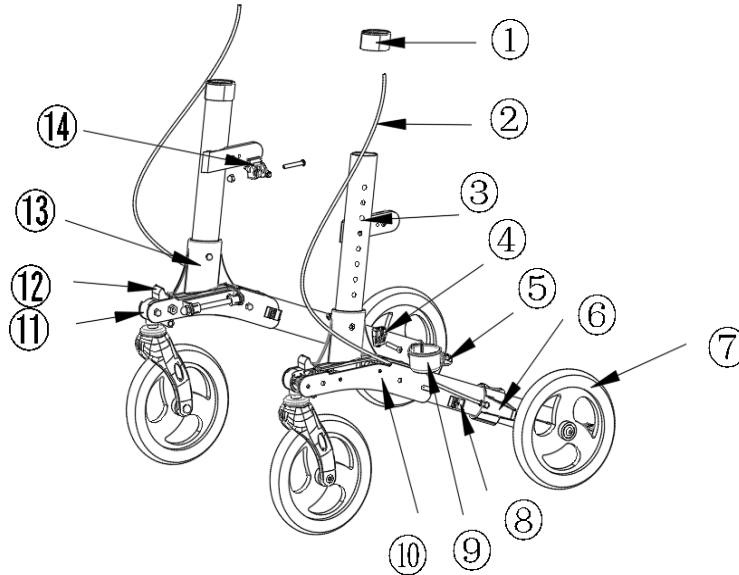
Drawing No.	Item No.	Description	Purchase Price
1-4 + RBD016-03-07	RBD016-411007L	Brake handle complete (left)	35
1-4 + RBD016-03-07	RBD016-411007R	Brake handle complete (Right)	35
1-4	N/A	Not available as spare part	-
5	RBD016-03-08	Handle tube	14
6	RBD016-03-09	Spring button	2,1
7	RBD016-03-10	Handle tube plug	3,5
8	RBD016-06-01(black)	Backrest (black) with logo	27,5
	RBD016-06-01(Grey)	Backrest (Grey) with logo	27,5
	RBD016-06-01(blue)	Backrest (Blue) with logo	27,5
	RBD016-06-01(brown)	Backrest (brown) with logo	27,5
	RBD016-06-01(pink)	Backrest (pink) with logo	27,5
9	RBD016-01-18	Seat with strap	24
	RBD016-06-04	Shopping bag (black) with logo	36
10	RBD016-06-05	Shopping bag (grey) with logo	36
	RBD016-06-06	Shopping bag (blue) with logo	36
	RBD016-06-07	Shopping bag (brown) with logo	36
	RBD016-06-08	Shopping bag (pink) with logo	36

CE-D09 Spare parts list



Identification number: TCF-VOMNL-4000-22
 Product group: Walking Aid
 Productname: Excel Triple-Motion
 Batchnumber: 6189

Wheel assembly



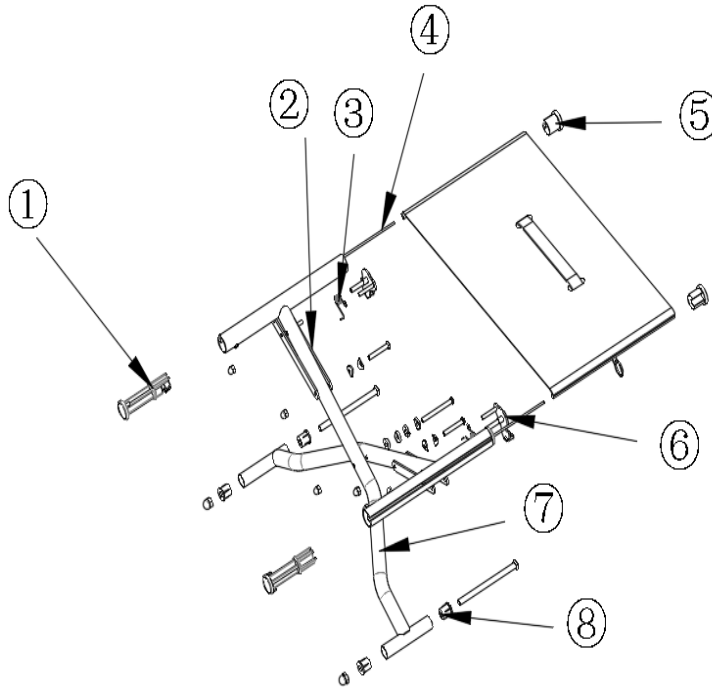
Drawing No.	Item No.	Description	Purchase Price
1	RBD016-02-03	Side tube plug	3,5
2	RBD016-03-07	Brake cable	12
3	RBD016-02-01L	Side tube (left)	21
	RBD016-02-01R	Side tube (right)	21
4	RBD016-02-11	Cane holder connector	2,1
5	RBD016-05-02L	Tipping aid (left)	3,5
	RBD016-05-02R	Tipping aid (right)	3,5
6	RBD016-03-11	Brake plate	3,5
7	RBD016-04-05F	8" wheel with bearing (front)	21
	RBD016-04-05R	8" wheel with bearing (Rear)	21
8	RBD016Q-05-14	Rear tube quick folding block	1,4
9	RBD016-02-09	Cane holder	3,5
10	RBD016Q-02-06	Steel chasis plate	24
11	RBD016Q-04-01	Front fork connector	11,2
12	RBD016Q-04-16	Front fork quick folding block	6,2
13	RBD016-02-05	T-shape chasis	25,4
14	RBD016-02-04	Cross bar connector	2,1

CE-D09 Spare parts list



Identification number: TCF-VOMNL-4000-22
 Product group: Walking Aid
 Productname: Excel Triple-Motion
 Batchnumber: 6189

Seat and crossframe



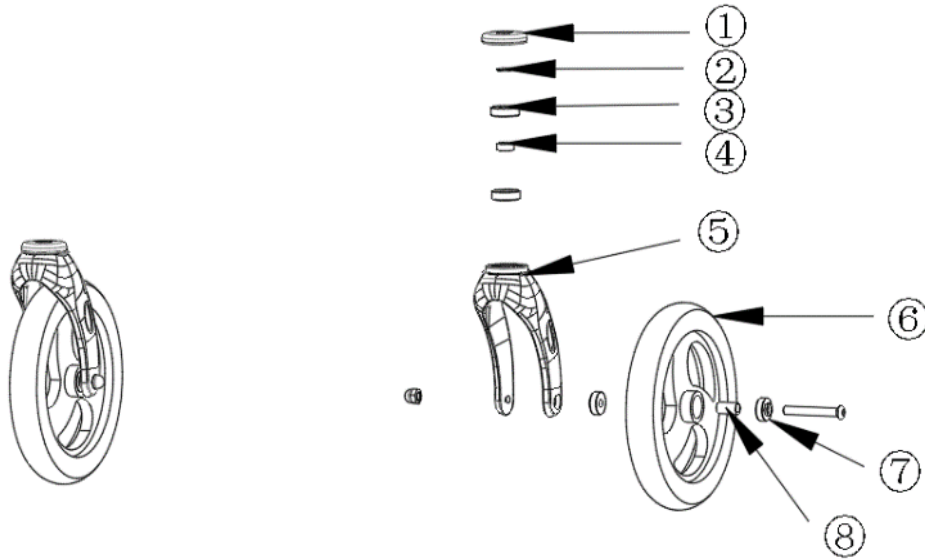
Drawing No.	Item No.	Description	Purchase Price
1-8	RBD016-1352012	Cross frame set	56
1	RBD016-01-04	Shopping bag hanger	5,4
5	RBD016-01-06	Seat tube plug	2,1

CE-D09 Spare parts list



Identification number: TCF-VOMNL-4000-22
 Product group: Walking Aid
 Productname: Excel Triple-Motion
 Batchnumber: 6189

Wheel and front fork



Drawing No.	Item No.	Description	Purchase Price
1-4	RBD016-1354013	Bearing house set for front fork	11,2
5	RBD016-04-03L	Front fork (left)	12,6
	RBD016-04-03R	Front fork (right)	12,6
6	RBD016-04-05F	8" wheel with bearing (front)	21
	RBD016-04-05R	8" wheel with bearing (Rear)	21
7-8	RBD016-1354014F	Bearing set for front wheel	4,9
	RBD016-1354014R	Bearing set for rear fork	3,5